

MODEL EG240
ENGINE CONTROL
INSTRUCTION MANUAL

PUBLICATION NUMBER: 840606.1

DATE: MARCH 1989

STATICRAFT LTD.

2000 THURSTON DRIVE

OTTAWA, ONT.

K1G 4K7

TELEPHONE: (613) - 738 - 1627

FAX: (613) - 738 - 2059

Copyright © 1989 Staticraft Ltd.

All rights reserved. No part of this publication may be reproduced in any form, in an electronic retrieval system or otherwise, without the prior permission of the publisher.

TABLE OF CONTENTS

SECTION 1. INTRODUCTION	1-1
<hr/>	
SECTION 2. CIRCUITRY	2-1
<hr/>	
2.1 Power Supply	2-1
2.2 Logic Inputs	2-1
2.3 Relay Driver Outputs	2-2
SECTION 3. OPERATION	3-1
<hr/>	
3.1 Operating Mode	3-1
3.2 Electronic Speedswitch	3-2
3.3 Metering	3-4
3.4 Alarms	3-5
3.5 Flashing Panel Lamps	3-6
3.6 Time Delays	3-6
3.7 Option Selector Switch	3-7
3.8 Sequence Of Operation	3-9
SECTION 4. SPECIFICATIONS	4-1
<hr/>	
SECTION 5. INSTALLATION	5-1
<hr/>	
5.1 Speed Signal Wiring	5-1
5.2 Logic Inputs	5-1
5.3 External Relays	5-2
5.4 Mounting	5-5
SECTION 6. MAINTENANCE	6-1
<hr/>	
6.1 Battery Chargers	6-1

FIGURES

Figure 1-1 EG240 Physical Layout	1-1
Figure 1-2 EG240 Adjustments And Option Switch	1-2
Figure 2-1 Logic Input	2-1
Figure 2-2 Relay Driver Output	2-3
Figure 2-3 Output De-energized	2-3
Figure 2-4 Output Energized	2-4
Figure 2-5 Slave Relay Connection	2-4
Figure 3-1 Function Switch And Engine Start Contact	3-1
Figure 3-2 Correct Speedswitch Calibration	3-3
Figure 3-3 Speedswitch Calibration Min And Max Points	3-3
Figure 5-1 Logic Input With Slave Relay	5-1
Figure 5-2 Logic Input With Pullup Resistor	5-2
Figure 5-3 CEMF Suppression Diode	5-2
Figure 5-4 Connection Diagram - Minimum Configuration	5-3
Figure 5-5 Connection Diagram - Maximum Configuration	5-4
Figure 5-6 Model EG240 Mounting Dimensions	5-5

TABLES

Table 3-1 Time Delay Summary	3-6
Table 3-2 Option Selector Switch Summary	3-8

SECTION 1. INTRODUCTION

The Model EG240 is a completely solid state control, containing all of the logic, timing and annunciation required for the automatic control and protection of an engine. The EG240 also provides three digital meters to indicate generator voltage, frequency and current. The unit consists of a single circuit card mounted in an iridited aluminum chassis with a stainless steel front panel, suitable for flush mount. Unit dimensions are 12" x 12" x 1.5" HWD. The internal power supply will operate from 8 - 30 VDC, allowing the EG240 to be used with 12 VDC or 24 VDC systems.

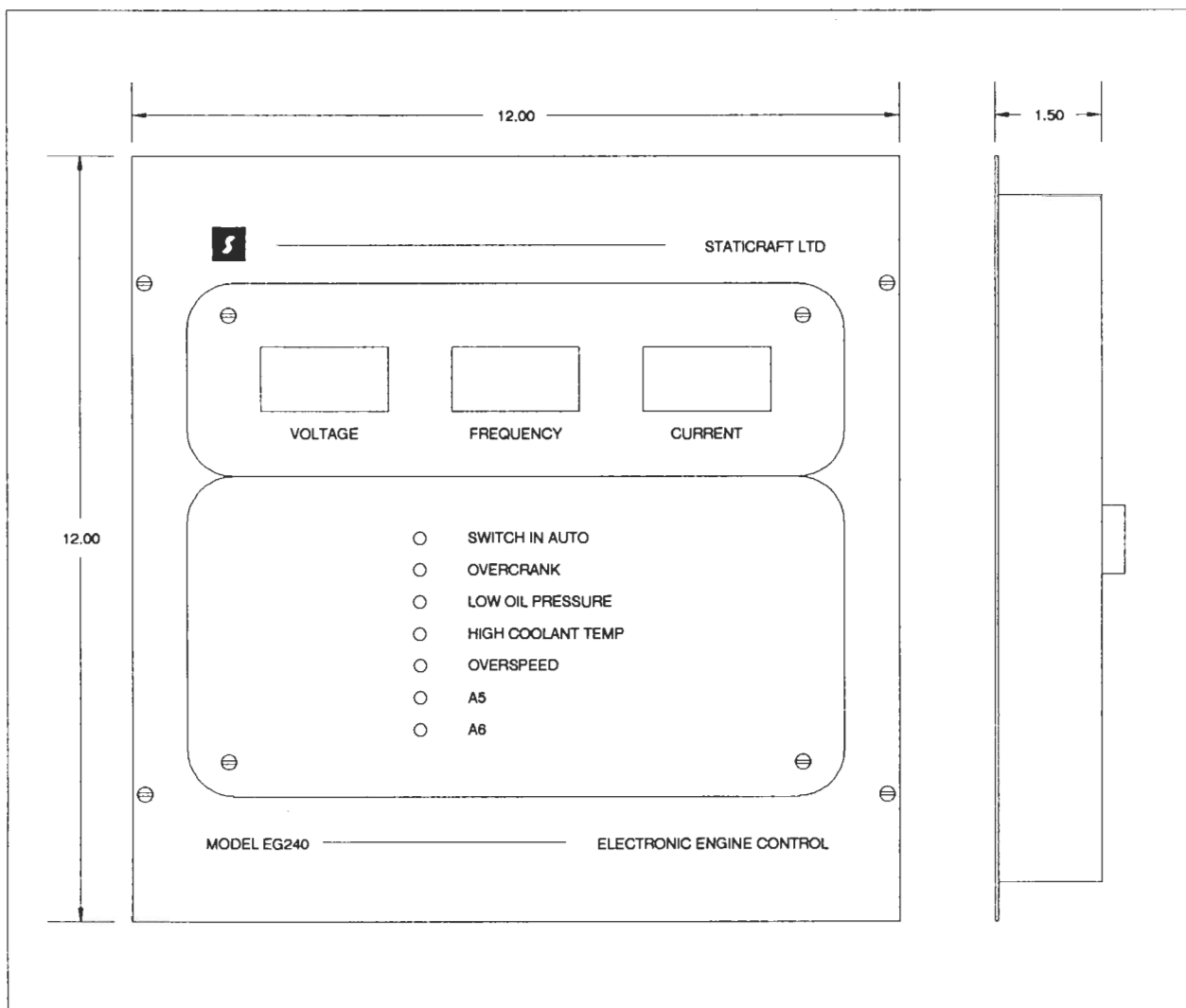


FIGURE 1-1 EG240 PHYSICAL LAYOUT

The EG240 has an internal electronic speedswitch to disconnect the starter motor and provide overspeed protection. The control also provides four user-adjustable delays, and an option selector switch to permit modification of the control logic.

The speedswitch and time delay adjustments are performed with multi-turn potentiometers located in the top left corner of the circuit card when viewing the unit from the back. The potentiometers are accessed through a slot on the left side of the back cover, again viewing the unit from the back. The option selector switch is also located on the back of the circuit card along with a 24-pole terminal block to allow external wiring to be connected. Refer to figure 1-2.

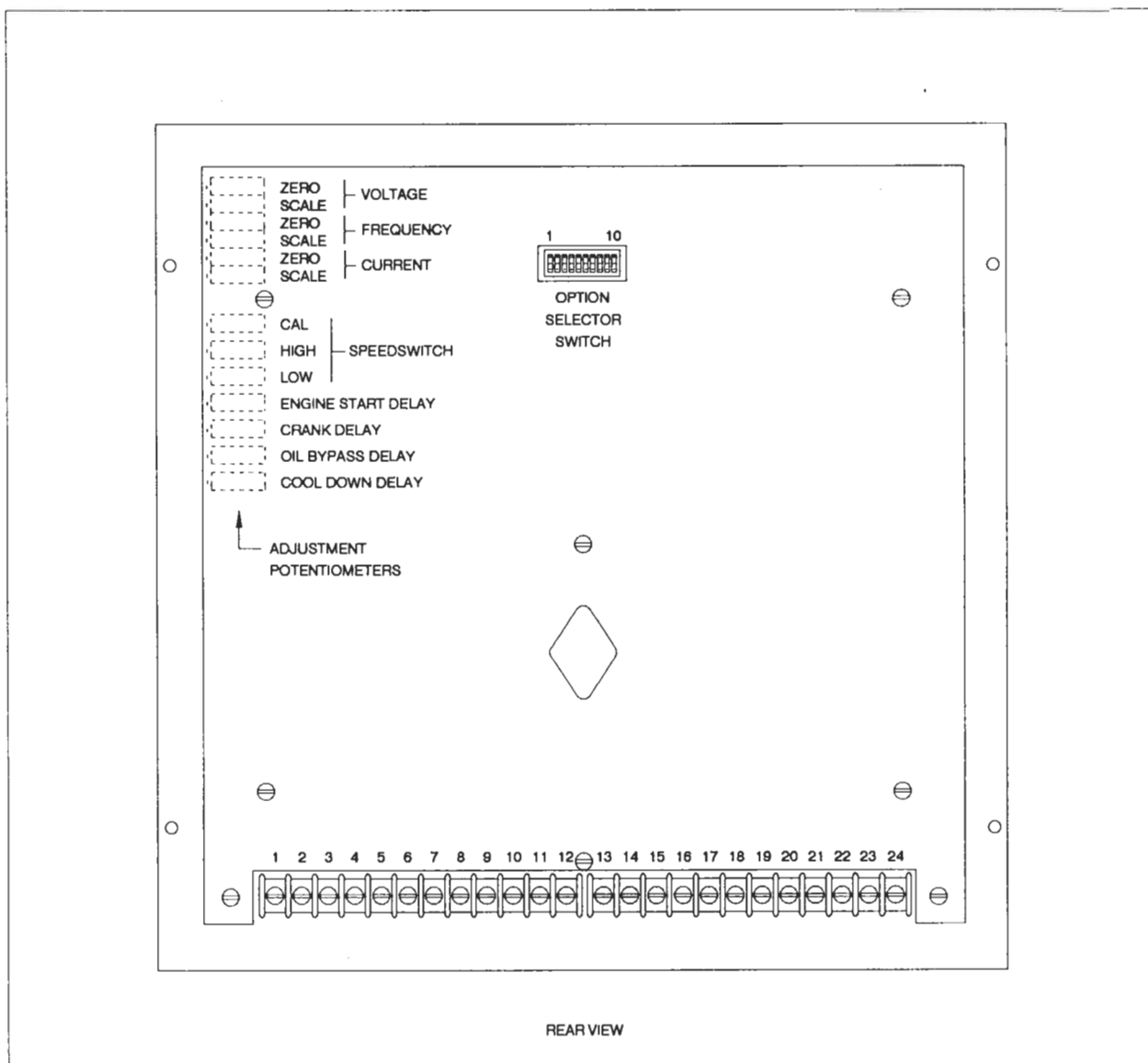


FIGURE 1-2 EG240 ADJUSTMENTS AND OPTION SWITCH

The EG240 has two modes of operation; manual and automatic. The mode is selected by grounding either terminal 1 (automatic operation), or terminal 2 (manual operation). If automatic operation is selected the "engine start contact" input (terminal 3) determines whether the control is to start or stop the engine. This is described in detail in section 3.1.

Protection is provided for the following alarm conditions;

- **No Speed Signal**
- **Overcrank**
- **Low Oil Pressure**
- **High Coolant Temperature**
- **Overspeed**

In addition, two spare alarms (A5 and A6) are supplied, which may be configured to operate as a shutdown or an alarm only. Individual panel lamps are provided to indicate the cause of the alarm, and separate relay driver outputs are supplied for applications requiring remote alarms. These alarms can be custom-screened to user specifications.

NOTES:

SECTION 2. CIRCUITRY

In order to properly interface the Model EG240 with external wiring or devices, a clear understanding of the operation of specific sections of EG240 circuitry is required.

2.1 POWER SUPPLY

The EG240 power supply will operate from an 8 - 30 VDC source. Battery positive is applied to terminal 9, and battery negative to terminal 10. The power supply input is protected against reverse polarity, so accidentally reversing the polarity of the two terminals will not damage internal circuitry. The DC power is applied to a series pass voltage regulator to produce the +5 VDC used by internal components. A second on-board voltage regulator supplies a 5 VDC potential to critical components.

Noise protection and over-voltage protection are built in to the DC input. However, subjecting the input to extremely high DC or AC voltage can cause damage. Refer to section 6 for a more detailed coverage of this topic.

2.2 LOGIC INPUTS

This control is equipped with eight high impedance logic inputs (terminals 1 - 8). The inputs are normally held high (+5 VDC) when open circuit. In order to activate the input, ground the input terminal to battery negative. This will pull the input to ground potential, and cause the downstream logic to switch state (refer to figure 2-1). Notice that an external relay contact (supplied by others) is used to ground the logic input.

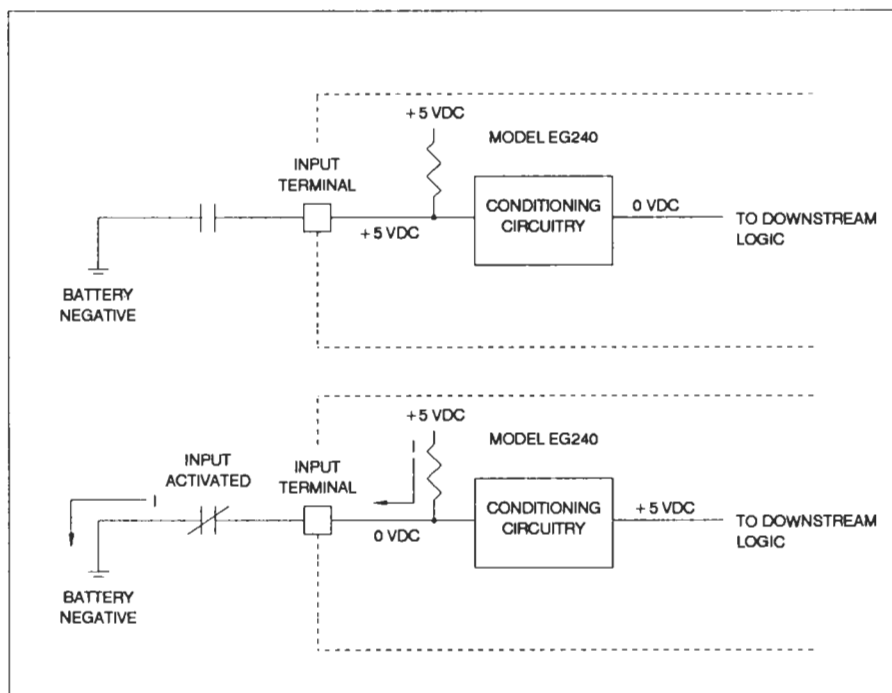


FIGURE 2-1 LOGIC INPUT

2.2.1 Automatic

Terminal 1 is the connection point for the automatic position of the control switch. This is described in detail in section 3.1.

2.2.2 Manual

Terminal 2 is the connection point for the manual position of the control switch. This is described in detail in section 3.1.

2.2.3 Start Contact

Terminal 3 is the connection point for the engine start contact. This is described in detail in section 3.1.

2.2.4 Lamp Test

An external pushbutton (supplied by others) is connected from terminal 4 to battery negative. The pushbutton contacts should be normally open. Pressing the pushbutton will cause all of the EG240 panel lamps to flash.

2.2.5 Oil Pressure

A contact from an engine mounted lube oil pressure switch (supplied by others) is connected from terminal 5 to battery negative. Switch operation should be contact closure on falling oil pressure.

2.2.6 Coolant Temperature

A contact from an engine mounted coolant temperature switch (supplied by others) is connected from terminal 6 to battery negative. Switch operation should be contact closure on rising coolant temperature.

2.2.7 Annunciator 5 (Spare)

This is a spare input. An external contact is connected from terminal 7 to battery negative. The contact should close on fault.

2.2.8 Annunciator 6 (Spare)

This is a spare input. An external contact is connected from terminal 8 to battery negative. The contact should close on fault.

2.3 RELAY DRIVER OUTPUTS

The EG240 is equipped with eight relay driver outputs (terminals 11 to 18). The outputs are high current silicon transistors providing a current sink to battery negative. To use the outputs, connect a relay coil (supplied by others) from the output terminal to battery positive as illustrated in figure 2-2.

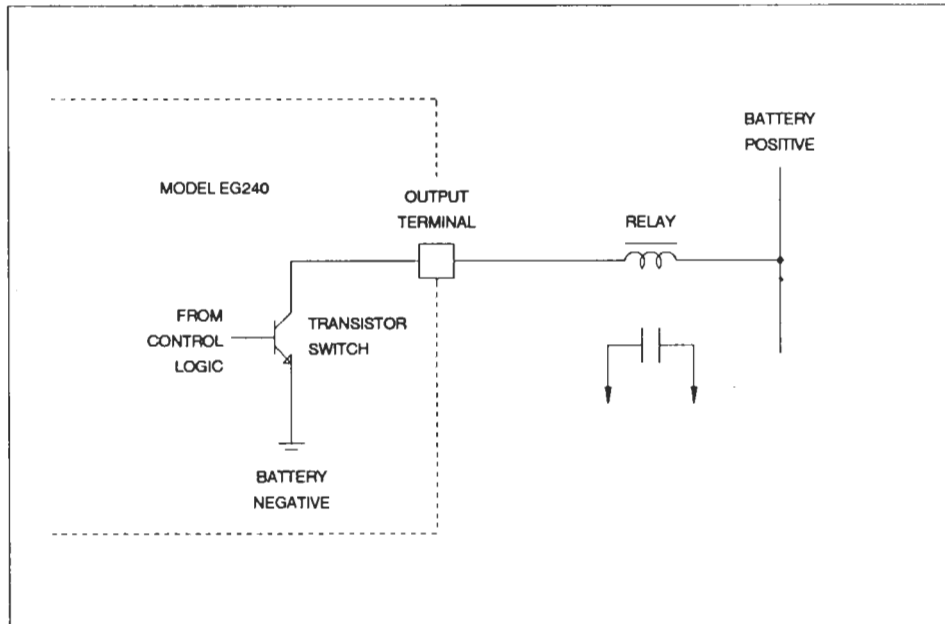


FIGURE 2-2 RELAY DRIVER OUTPUT

The transistor is controlled by internal logic. When the transistor is off, it behaves like an open switch, and no current flows through the relay coil (figure 2-3). When the transistor is turned on, it acts as a closed switch, and current flows through the relay coil and transistor to battery negative, completing the circuit and energizing the relay coil (figure 2-4).

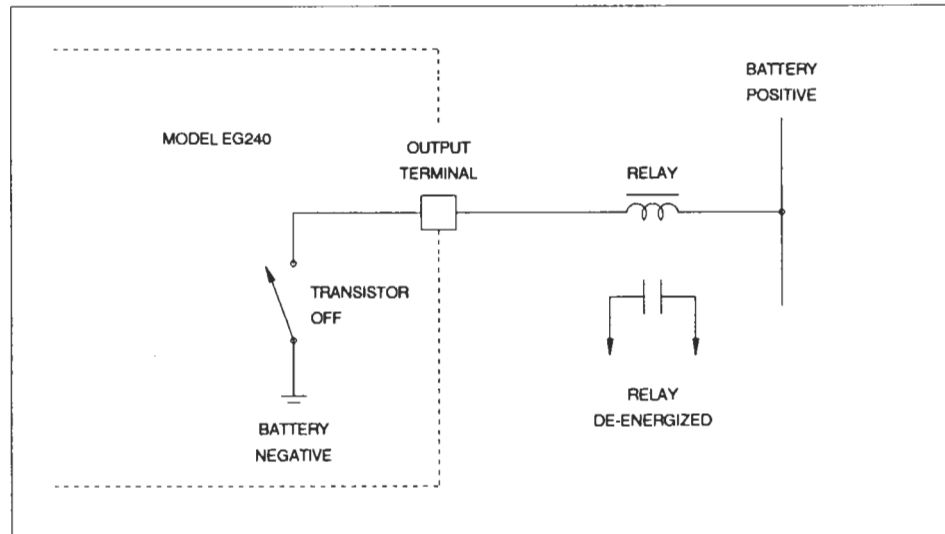


FIGURE 2-3 OUTPUT DE-ENERGIZED

Note: the output transistors are rated at **1 ADC MAXIMUM @ 30 VDC**. Therefore, if relays or solenoids drawing more than 1 ADC (such as fuel or starter solenoids) are to be activated by the transistor output, slave relays **MUST** be used. Figure 2-5 illustrates a typical slave relay application.

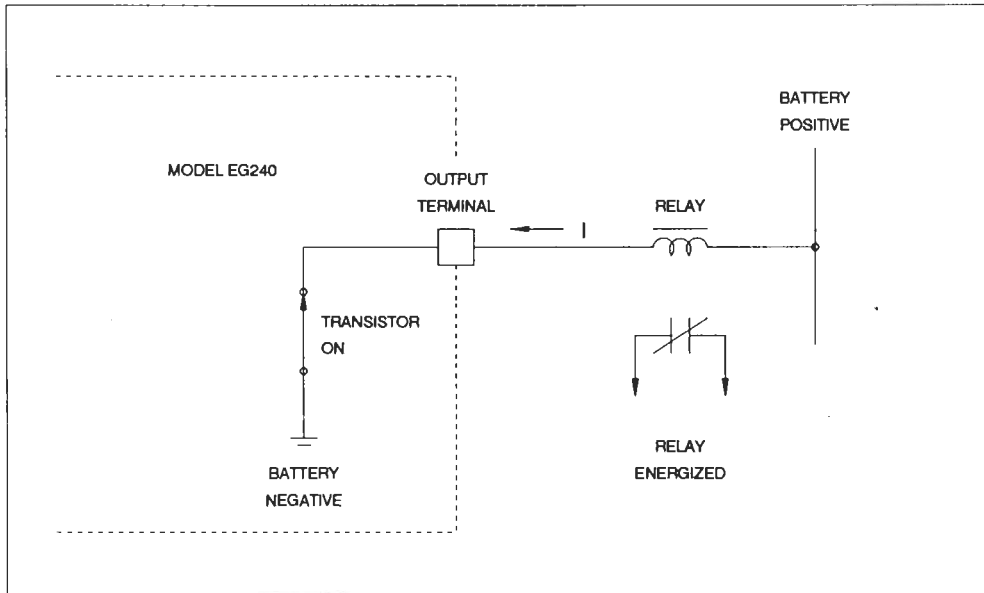


FIGURE 2-4 OUTPUT ENERGIZED

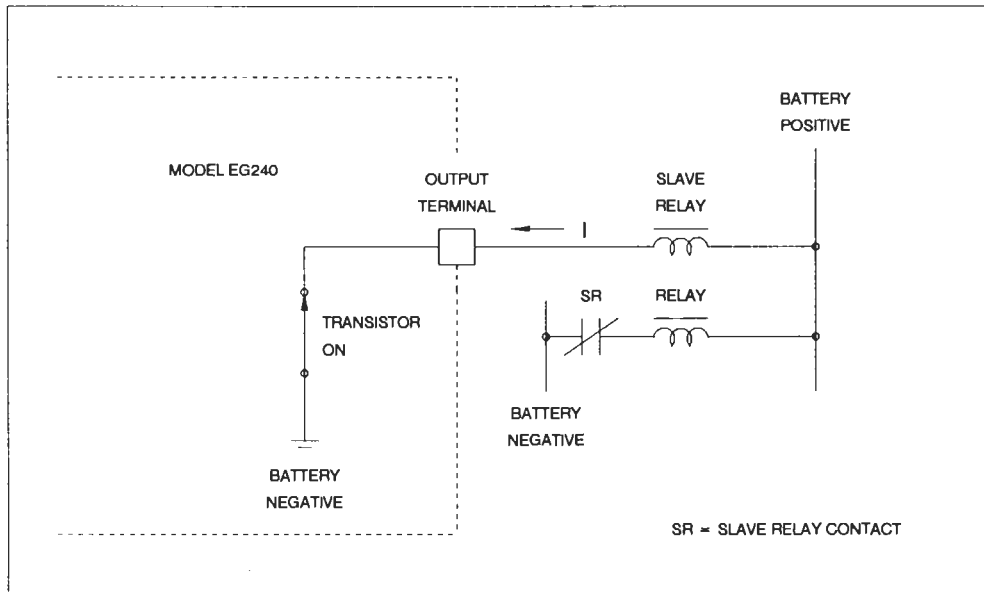


FIGURE 2-5 SLAVE RELAY CONNECTION

2.3.1 Fuel

The operation of the fuel output (terminal 11) is determined by the type of fuel control selected (section 3.7). If ETR operation is chosen, the output is energized whenever the engine is to run. The output will remain energized until the engine is signalled to stop, or a shutdown occurs.

If ETS operation is chosen, the output is energized whenever the unit is signalled to stop or a shutdown occurs, and will remain energized for approximately 30 seconds.

2.3.2 Crank

The crank output (terminal 12) is energized whenever the engine is to crank. The output is de-energized when engine speed exceeds the speedswitch low setpoint.

2.3.3 Overcrank

This output (terminal 13) is energized whenever the engine is shut down on an Overcrank or Loss of Speed Signal fault.

2.3.4 Low Oil Pressure

This output (terminal 14) is energized whenever the engine is shut down on a Low Oil Pressure fault.

2.3.5 High Coolant Temperature

This output (terminal 15) is energized whenever the engine is shut down on a High Coolant Temperature fault.

2.3.6 Overspeed

This output (terminal 16) is energized whenever the engine is shut down on an Overspeed fault.

2.3.7 Annunciator 5 (Spare)

This output (terminal 17) is energized whenever contact closure occurs on terminal 7, assuming TDBP has timed out. Annunciator 5 can be configured as a shutdown or an alarm only.

2.3.8 Annunciator 6 (Spare)

This output (terminal 18) is energized whenever contact closure occurs on terminal 8. Annunciator 6 can be configured as a shutdown or an alarm only.

NOTES:

SECTION 3. OPERATION

3.1 OPERATING MODE

The EG240 has two operating modes, MANUAL and AUTOMATIC. The mode is selected by connecting battery negative to either terminal 2 (manual operation) or terminal 1 (automatic operation). Typically, this is done using a three-position function switch (supplied by others). The third position (OFF), will reset any alarms generated by the control following a shutdown. Figure 3-1 illustrates the recommended switch arrangement.

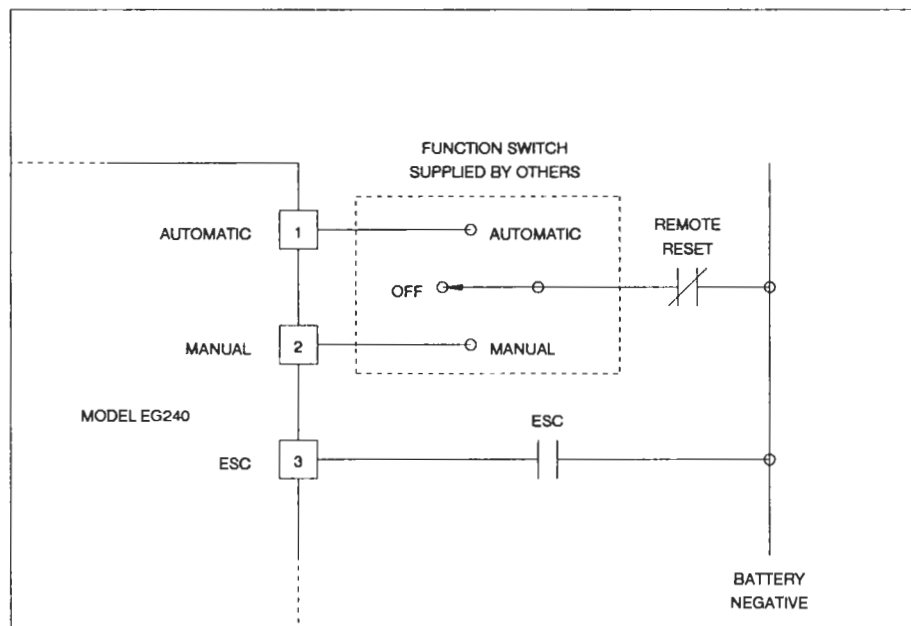


FIGURE 3-1 FUNCTION SWITCH AND ENGINE START CONTACT

3.1.1 Manual Operation

Shorting terminal 2 to battery negative will signal the engine to start and run. To stop the engine, remove battery negative from terminal 2.

3.1.2 Automatic Operation

Shorting terminal 1 to battery negative will select Automatic operation, but will not signal the engine to start. A "Switch In Auto" lamp located on the front panel is energized when the control is in this mode.

When Automatic operation is selected, the start signal is issued when the "engine start contact" (ESC) input (terminal 3) is grounded. To stop the engine, remove battery negative from terminal 3.

NOTE: The ESC input is not active unless the control is in the Automatic mode of operation. In addition, Time Delay Engine Start and Time Delay Cool Down affect the Automatic operation of the unit if the delays are selected (refer section 3.6).

3.1.3 Remote Reset

The EG240 can be reset from a remote location by placing a normally closed switch contact between battery negative and the function switch. Opening the contact will remove battery negative from terminals 1 and 2, resetting the control.

3.2 ELECTRONIC SPEEDSWITCH

An electronic speedswitch is built into the EG240. The speedswitch disconnects the starter motor when the engine fires, and provides overspeed protection. Two switchpoints—speedswitch low and speedswitch high—are provided to perform these functions. The speedswitch will operate from a speed signal as low as 0.02 VAC or from a signal considerably greater than 24 VAC without damage. The signal is derived from the generator output voltage. A transformer (supplied by others) must be used to transform the generator output voltage to a nominal 24 VAC level before it is applied to terminals 21 and 22 of the control. It is extremely important to isolate the transformer wiring from other cabling. This is described in detail in section 5.1.

3.2.1 Speedswitch Low

Speedswitch low is used to disconnect the starter. When the engine fires and comes up to speed, speedswitch low opens and the starter output is de-energized. The switchpoint is then latched open to ensure that the starter does not re-engage if the speed signal is lost. Speedswitch low is adjustable from 30% to 60% of nominal engine speed. The setpoint is adjusted with a multi-turn potentiometer labeled LOW SPEEDSWITCH, located on the back of the control. To increase the setpoint, turn the potentiometer clockwise. Speedswitch low is factory preset to 33% of nominal engine speed.

3.2.2 Speedswitch High

Speedswitch high is used for overspeed protection. If engine speed exceeds the switchpoint, the generator is immediately shut down and locked out on an overspeed fault. Speedswitch high is adjustable from 90% to 120% of nominal engine speed. The setpoint is adjusted with a multi-turn potentiometer labeled HIGH SPEEDSWITCH, located on the back of the control. To increase the overspeed setpoint, turn the potentiometer clockwise. Speedswitch high is factory preset to operate when engine speed reaches 110% of nominal (66 Hz).

3.2.3 Speedswitch Calibration

Both speedswitch setpoints have a range of adjustment. A third potentiometer, labeled SPEEDSWITCH CAL is used to set the "window" for the range of adjustment. This concept is most easily understood using a diagram. Figure 3-2 illustrates the range of adjustment for both switchpoints when the speedswitch is properly calibrated. Figure 3-3 illustrates the range of adjustment for both switchpoints when the calibration potentiometer is set to minimum (fully counter-clockwise), and maximum (fully clockwise).

The speedswitch is calibrated before the control is shipped, and a white sealing compound is applied to the SPEEDSWITCH CAL potentiometer.

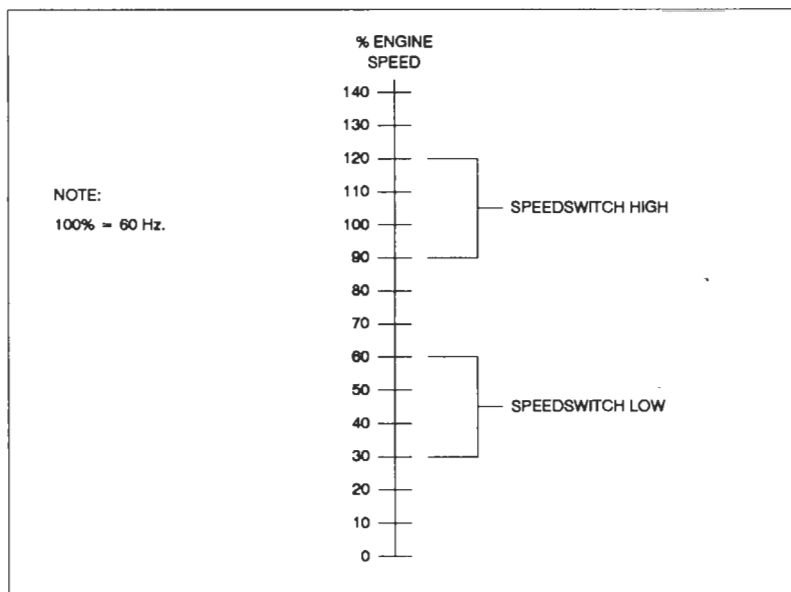


FIGURE 3-2 CORRECT SPEEDSWITCH CALIBRATION

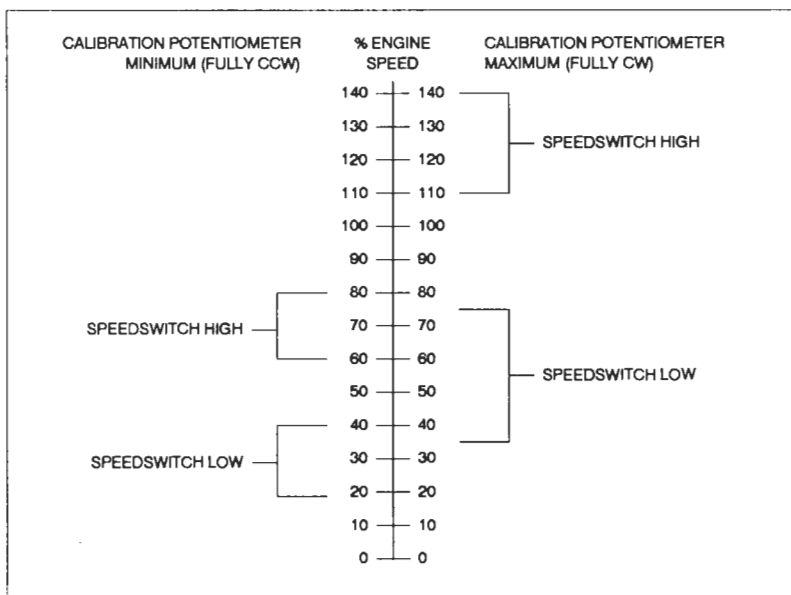


FIGURE 3-3 SPEEDSWITCH CALIBRATION MIN AND MAX POINTS

3.2.4 Loss Of Speed Signal

The continuity of the speed signal is constantly checked by the speedswitch while the engine is cranking or running. If the speed signal is lost, "time delay loss of signal" (TDLS) is initiated. If the signal is not received before TDLS times out (approximately 5 seconds), the engine is shut down and locked out on a loss of signal fault.

3.3 METERING

The EG240 is equipped with three digital meters to monitor generator voltage, load current and generator frequency. The meters can be configured to operate at all times, or only when the engine generator is running. This is done with the option selector switch (ref. 3-7). Separate ZERO and SPAN adjustment potentiometers are provided for each meter, located on the back of the circuit card. Meter accuracy is approximately 2%, +/- 1 count.

3.3.1 Voltmeter

The voltmeter is capable of displaying voltages from 0 to 999 VAC, making it suitable for use with transformer ratios from 120/24 to 600/24. The voltmeter input (terminals 19 and 20) accepts a nominal 24 VAC signal. Therefore, a **potential transformer** must be used to step down the generator voltage to this level before it is applied to the terminals. Multiple lines can be displayed with the addition of an external voltmeter transfer switch (supplied by others). Diagram 5-5 (section 5) illustrates the general wiring arrangement for this device.

To zero the voltmeter, open circuit terminal 19. Slowly adjust the voltmeter ZERO potentiometer until the meter reads 000. To adjust the span, re-connect terminal 19, and measure the voltage at the primary of the transformer feeding terminals 19 and 20. Slowly adjust the voltmeter SPAN potentiometer until the EG240 voltmeter agrees with the measured reading.

3.3.2 Ammeter

The ammeter display range can be configured to operate from 0 - 99.9 AAC or 0 - 999 AAC using the option selector switch, making it suitable for use with current transformer ratios from 10/5 to 1000/5. The ammeter input (terminals 23 and 24) accepts a nominal 5 AAC signal. Therefore, **current transformers** must be used to step down the load current to this level before it is applied to the terminals. Multiple lines can be displayed with the addition of an external ammeter transfer switch (supplied by others). Diagram 5-5 (section 5) illustrates the general wiring arrangement for this device.

To zero the ammeter, open circuit terminal 23. Slowly adjust the voltmeter ZERO potentiometer until the meter reads 000. To adjust the span, re-connect terminal 23, and measure the load current through the primary of the current transformer feeding terminals 23 and 24. Slowly adjust the ammeter SPAN potentiometer until the EG240 ammeter agrees with the measured reading. There is a certain amount of interaction between the ZERO and SPAN adjustments, so it may be necessary to re-calibrate the zero setting after adjusting the span.

3.3.3 Frequency Meter

The frequency meter is capable of displaying frequencies from 0 to 75 Hz. An input frequency exceeding 75 Hz. will cause an inaccurate reading due to saturation of the frequency / voltage converter. The frequency meter input (terminals 21 and 22) accepts a nominal 24 VAC signal. Therefore, a **potential transformer** must be used to step down the generator voltage to this level before it is applied to the terminals. This input also provides the signal for the EG240 speed sensing circuitry, and therefore should not be switched or interrupted in any way. It is also extremely important to isolate this transformer wiring from other wiring to avoid noise problems. This is described in detail in section 5.1.

To zero the frequency meter, open circuit terminal 21. Slowly adjust the meter ZERO potentiometer until the meter reads 000. To adjust the span, re-connect terminal 21, and measure the frequency of the signal at terminals 21 and 22. Slowly adjust the voltmeter SPAN potentiometer until the EG240 frequency meter agrees with the measured reading.

An alternate method of calibrating the meter is to apply a nominal 24 VAC signal from commercial hydro – which has a regulated 60 Hz. frequency – to the input terminals. Disconnect the hydro following the adjustment.

3.4 ALARMS

The EG240 provides six alarms. If an alarm is received while the engine is running, the engine is shut down and locked out. A lamp on the front panel of the control will indicate which alarm occurred, and the appropriate relay driver output will be energized. In order to reset the alarm, place the function switch in the OFF position (no connection to terminals 1 or 2).

NOTE: annunciators A5 and A6 can be configured to operate as a shutdown or an alarm only. If alarm operation is selected, the description in the previous paragraph applies except the engine will continue to run, and the fault is not latched. Removing the input signal will clear the fault.

3.4.1 Overcrank

This fault occurs if engine speed does not exceed the speedswitch low setpoint before the crank delay times out. The Overcrank lamp and relay driver output will be energized following this fault. This alarm is also used to indicate a Loss Of Speed Signal fault, which occurs when the speed signal is lost for a period of five seconds while the engine is running or cranking. The fault is indicated by a *FLASHING* Overcrank lamp to distinguish it from a true Overcrank condition.

3.4.2 Low Oil Pressure

This fault occurs when terminal 5 is grounded to battery negative. The fault is inhibited on startup while time delay bypass (TDBP) times to allow oil pressure to reach prescribed limits. If the fault remains when TDBP times out, the engine is shut down, and the Low Oil Pressure lamp and relay driver output will be energized.

3.4.3 High Coolant Temperature

This fault occurs when terminal 6 is grounded to battery negative. The alarm is also inhibited on startup. Operation is identical to low oil pressure described above.

3.4.4 Overspeed

This fault occurs if engine speed exceeds the speedswitch high setpoint. The Overspeed lamp and relay driver output will be energized following this fault.

3.4.5 Annunciator 5

A5 is activated when terminal 7 is grounded to battery negative, although it is inhibited on startup. If the fault remains when TDBP times out, the engine is shut down (if desired) and the A5 lamp and relay driver output are energized. A5 can be configured as alarm only using the option selector switch. If it is configured as an alarm, the fault is not latched. Removing the input signal clears the fault.

3.4.6 Annunciator 6

A6 is activated when terminal 8 is grounded to battery negative. This alarm is armed any time the EG240 is placed in Manual or Automatic. A6 can be configured as a shutdown or an alarm only using the option selector switch. If it is configured as an alarm, the fault is not latched. Removing the input signal clears the fault.

3.5 FLASHING PANEL LAMPS

Two of the EG240 panel lamps may flash during engine operation to indicate specific conditions. A flashing LOW OIL PRESSURE lamp indicates that the oil pressure contact was not closed on engine startup (the start procedure is inhibited until the contact is closed). A flashing OVERCRANK lamp indicates a Loss Of Speed Signal fault.

3.6 TIME DELAYS

The EG240 is equipped with four adjustable and two fixed time delays. The adjustable delays are set using multi-turn potentiometers located on the back of the control. To increase a delay, turn the relevant potentiometer clockwise. Table 3-1 summarizing the range of adjustment for each delay, the factory preset value, and identifies the relevant adjustment potentiometer.

TIME DELAY	POTENTIOMETER	RANGE OF ADJUSTMENT	FACTORY SETTING
TDES	ENGINE START DELAY	1 - 15 SECONDS	5 SECONDS
TDCR	CRANK DELAY	6 - 60 SECONDS	20 SECONDS
TDBP	OIL BYPASS DELAY	6 - 60 SECONDS	10 SECONDS
TDCC	COOL DOWN DELAY	30 SEC. - 5 MIN.	60 SECONDS
TDLS	NONE	NOT ADJUSTABLE	5 SECONDS
TDF	NONE	NOT ADJUSTABLE	30 SECONDS

TABLE 3-1 TIME DELAY SUMMARY

3.6.1 Time Delay Engine Start (TDES)

TDES inserts a delay between the closing of the engine start contact and the initiation of the engine start procedure. If the start contact opens before TDES times out, the delay is reset, and engine operation does not occur. This delay is only active when the function switch is in Auto, and TDES is selected. This is done by closing pole 5 of the option selector switch.

3.6.2 Time Delay Crank (TDCR)

TDCR determines the length of time the engine will crank and rest during each crank cycle before an overcrank fault occurs, assuming the engine does not start.

3.6.3 Time Delay Bypass (TDBP)

TDBP determines the length of time that low oil pressure, high coolant temperature and A5 faults are inhibited on startup. TDBP is initiated when the engine begins to run, as determined by the opening of speedswitch low.

3.6.4 Time Delay Cool Down (TDCC)

TDCC inserts a delay between the opening of the engine start contact and termination of engine operation. This delay is only active when the selector switch is in Auto, and TDCC is selected. This is done by closing pole 6 of the option selector switch.

3.6.5 Time Delay Loss Of Signal (TDLS)

TDLS determines the length of time that the engine is permitted to crank or run while no speed signal is received. If the signal is restored while TDLS is timing, the delay is reset. If the delay times out, the engine is shut down and locked out.

3.6.6 Time Delay Fuel (TDF)

TDF determines the length of time the fuel output is energized after the engine start contact is opened. The fuel output is energized when the delay is initiated, and is terminated when the delay times out. This delay is only active if "energized to stop" fuel control is selected.

3.7 OPTION SELECTOR SWITCH

The EG240 is equipped with a 10-pole option selector switch located on the back of the control. This switch permits the insertion or deletion of various options which customize the control logic of the EG240. All poles are placed in the CLOSED position before the unit is shipped. Pole functions are listed in table 3-2 on the following page.

Pole Number	Function
1	Poles 1, 2 and 3 determine the number of crank cycles that will occur before an overcrank fault is issued, assuming the engine fails to start.
2	
3	<p>If more than one crank cycle is selected, a rest delay proportional to the crank delay is inserted between each crank attempt.</p> <p>Closing all three poles will select 1 crank.</p> <p>Opening pole 1 will select 2 crank cycles.</p> <p>Opening poles 1 and 2 will select 3 crank cycles.</p> <p>Opening all three poles will select 4 crank cycles.</p>
4	<p>Pole 4 selects the type of fuel control to be used. If "energized to run" (ETR) operation is selected, the fuel output is energized on engine start, and will remain energized until the engine is stopped or is shut down.</p> <p>If "energized to stop" (ETS) operation is selected, the fuel output is energized when the engine is stopped or shut down, and for 30 seconds thereafter.</p> <p>Closing pole 4 selects ETR.</p> <p>Opening pole 4 selects ETS.</p>
5	<p>Pole 5 inserts or deletes time delay engine start (TDES). TDES provides a delay between the closing of the engine start contact, and engine startup. This only applies when the function switch is in Automatic.</p> <p>Closing pole 5 inserts TDES.</p> <p>Opening pole 5 deletes TDES.</p>
6	<p>Pole 6 inserts or deletes time delay cool down (TDCD). TDCD provides a delay between the opening of the engine start contact and the termination of engine operation. This only applies when the function switch is in Auto.</p> <p>Closing pole 6 inserts TDCD.</p> <p>Opening pole 6 deletes TDCD.</p>
7	<p>Pole 7 determines whether annunciator A5 is a shutdown or alarm only.</p> <p>Closing pole 7 selects shutdown.</p> <p>Opening pole 7 selects alarm only.</p>
8	<p>Pole 8 determines whether annunciator A6 is a shutdown or alarm only.</p> <p>Closing pole 8 selects shutdown.</p> <p>Opening pole 8 selects alarm only.</p>
9	<p>Pole 9 inserts or deletes a decimal point in the ammeter display.</p> <p>Closing pole 9 inserts a decimal point (ammeter range 0 - 99.9 AAC).</p> <p>Opening pole 9 deletes the decimal point (ammeter range 0 - 999 AAC).</p>
10	<p>Pole 10 determines whether the panel meters operate at all times or only when the engine is running.</p> <p>Closing pole 10 will keep the meters on at all times.</p> <p>Opening pole 10 inhibits meter operation until the engine is running.</p>

TABLE 3-2 OPTION SELECTOR SWITCH SUMMARY

3.8 SEQUENCE OF OPERATION

The following sequence of operation assumes that the option selector switch is left at default settings; that is, all poles closed. Several of the options that may be selected using this switch will alter the control sequence of the EG240. These options are described in table 3-2 on the following page.

When the EG240 receives a start signal (in either Manual or Automatic), the LOP input is checked. If a low oil pressure condition is not sensed, startup is inhibited, and the low oil pressure lamp flashes to indicate the problem. Subsequent closure of the low oil pressure switch will re-initiate the startup procedure. The EG240 starts the engine by energizing the fuel and crank outputs and monitoring the presence of the speed signal. As the engine fires and comes up to speed the starter is disconnected and TDBP is initiated. At the end of TDBP the oil pressure, coolant temperature and A5 alarm circuits are armed (A6 is armed any time the unit is in Manual or Automatic). A subsequent closure of any contact will cause a shutdown and the appropriate lamp will be lit on the front panel. The EG240 shuts down the engine by de-energizing the fuel output. All shutdowns are reset by placing the function switch in OFF.

If the speed of the engine exceeds the speedswitch high setpoint, the engine is immediately shut down and locked out. If the engine has not started when the crank delay expires the engine is shut down on an Overcrank fault. If the speed signal is lost (or does not exceed 20 mV while cranking) for a period of 5 seconds, the unit is shut down on a No Speed Signal fault. This is indicated by a flashing Overcrank lamp.

At the end of the required run period, removing the start signal will cause the fuel circuit to de-energize, stopping the engine.

NOTE: Time Delay Engine Start and Time Delay Cool Down may be inserted when the EG240 is placed in Automatic. Refer to section 3.6 for details.

NOTES:

SECTION 4. SPECIFICATIONS

Parameter	Specification						
Logic Inputs	Terminals 1 to 8 Source Impedance: 680 Kohms Open Circuit Voltage: 5 VDC Short terminal to battery negative (terminal 10) to activate input						
Battery Voltage	Terminal 9 (positive) and 10 (negative) Input Range: 8 - 30 VDC @ 0.4 ADC (Meters On)						
Relay Driver Outputs	Terminals 11 to 18 Rating: 1 ADC @ 30 VDC (maximum)						
Metering	<table border="0"> <tr> <td data-bbox="699 743 824 772">Voltmeter:</td> <td data-bbox="894 743 1406 833"> Terminals: 19 and 20 Burden: 24 VAC (nominal) @ 0.0008 W Transformer Ratio Range: 120/24 to 600/24 </td> </tr> <tr> <td data-bbox="699 867 846 896">Freq. Meter:</td> <td data-bbox="894 867 1321 957"> Terminals: 21 and 22 Burden: 24 VAC (nominal) @ 0.06W Range: 0 - 75 Hz. </td> </tr> <tr> <td data-bbox="699 991 818 1020">Ammeter:</td> <td data-bbox="894 991 1377 1115"> Terminals: 23 and 24 Burden: 5 AAC (nominal) @ 0.625 W Transformer Ratio Range: 10/5 to 1000/5 (with decimal removed) </td> </tr> </table>	Voltmeter:	Terminals: 19 and 20 Burden: 24 VAC (nominal) @ 0.0008 W Transformer Ratio Range: 120/24 to 600/24	Freq. Meter:	Terminals: 21 and 22 Burden: 24 VAC (nominal) @ 0.06W Range: 0 - 75 Hz.	Ammeter:	Terminals: 23 and 24 Burden: 5 AAC (nominal) @ 0.625 W Transformer Ratio Range: 10/5 to 1000/5 (with decimal removed)
Voltmeter:	Terminals: 19 and 20 Burden: 24 VAC (nominal) @ 0.0008 W Transformer Ratio Range: 120/24 to 600/24						
Freq. Meter:	Terminals: 21 and 22 Burden: 24 VAC (nominal) @ 0.06W Range: 0 - 75 Hz.						
Ammeter:	Terminals: 23 and 24 Burden: 5 AAC (nominal) @ 0.625 W Transformer Ratio Range: 10/5 to 1000/5 (with decimal removed)						
Chassis	Brushed stainless steel front panel Iridited aluminum rear chassis						
Terminal Block	24 pole screw type						
Dimensions	12" x 12" x 1.5" HWD						
Weight	4 pounds						
Operating Temperature	- 20 to +55 °C						

NOTES:

SECTION 5. INSTALLATION

Connecting the EG240 to external circuitry or devices is a relatively simple procedure. Recommended connection diagrams are presented in figures 5-4 and 5-5. Subsections 5-1 through 5-3 describe areas requiring particular attention.

5.1 SPEED SIGNAL WIRING

The speedswitch input has a high sensitivity, operating from a signal as small as 0.02 VAC. As a result, problems may arise if precautions are not taken when wiring the speed sensor input (terminals 21 and 22). For example, suppose the EG240 was mounted on a generator with a block heater powered by a commercial 60 Hz. line. If some of the speed sensor wiring was common with the block heater wiring, the IR drop along the common wiring may be interpreted by the EG240 as a speed signal. As a result, the starter would not engage, and the unit would fail to start. To eliminate this problem, it is recommended that the speed sensing wiring be completely isolated from any other wiring on the generator set.

Problems may also arise if the EG240 is used in conjunction with a poorly filtered battery charger. The 120 Hz. ripple voltage at the output of the battery charger may be interpreted as an overspeed condition, resulting in an engine shutdown. Again, this problem is solved by ensuring that the speed signal wiring is isolated from all other wiring on the generator set.

Lastly, the speedswitch input wiring should not be switched or interrupted in any manner.

5.2 LOGIC INPUTS

The logic inputs (terminals 1 to 8) are high impedance, and noise protection is fitted to each channel. However, if lead lengths exceed 50 feet, it is recommended that slave relays be used at the EG240 location, as illustrated in figure 5-1.

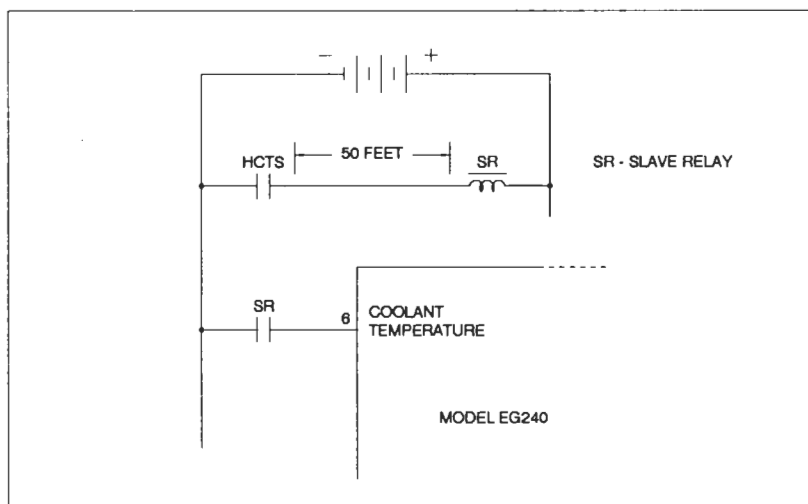


FIGURE 5-1 LOGIC INPUT WITH SLAVE RELAY

An alternate solution is to connect a 1 to 2 Kohm, 1 W resistor from the input terminal to battery positive. This provides a low impedance path shunting noise away from the input. This is illustrated in diagram 5-2.

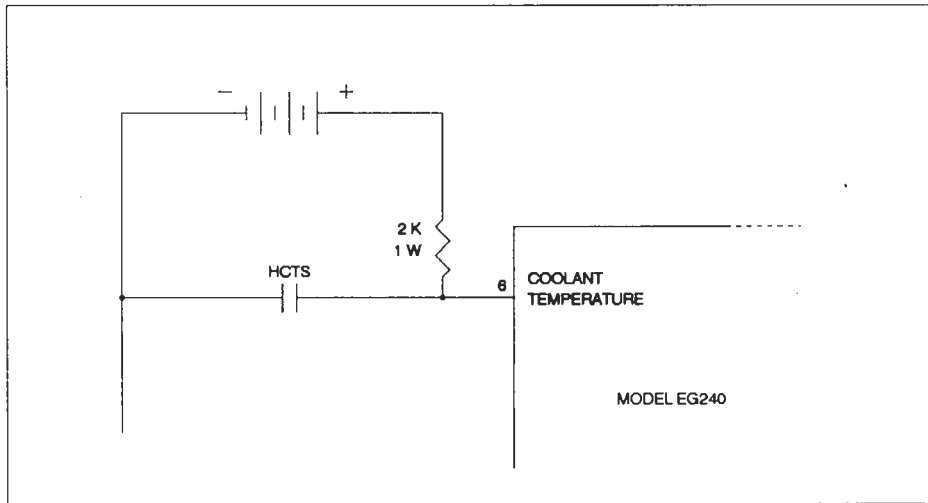


FIGURE 5-2 LOGIC INPUT WITH PULLUP RESISTOR

5.3 EXTERNAL RELAYS

It is a good practice to connect a diode across any relay or solenoid connected to the same DC source as the EG240 in order to eliminate the effects of counter-electromotive force (CEMF). The polarity of the diode is indicated in the following diagram.

The diode current rating should meet or exceed that of the coil, and the voltage rating must be adequate for the system. Typical diodes for this purpose are 1N4002, 1N4003 and 1N4004.

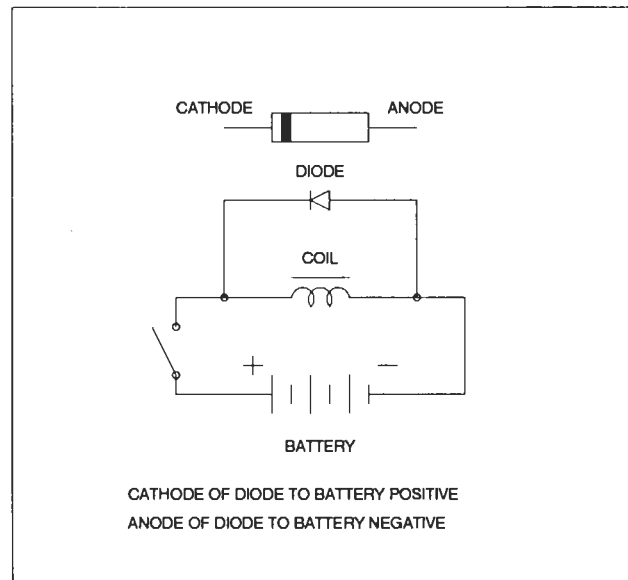


FIGURE 5-3 CEMF SUPPRESSION DIODE

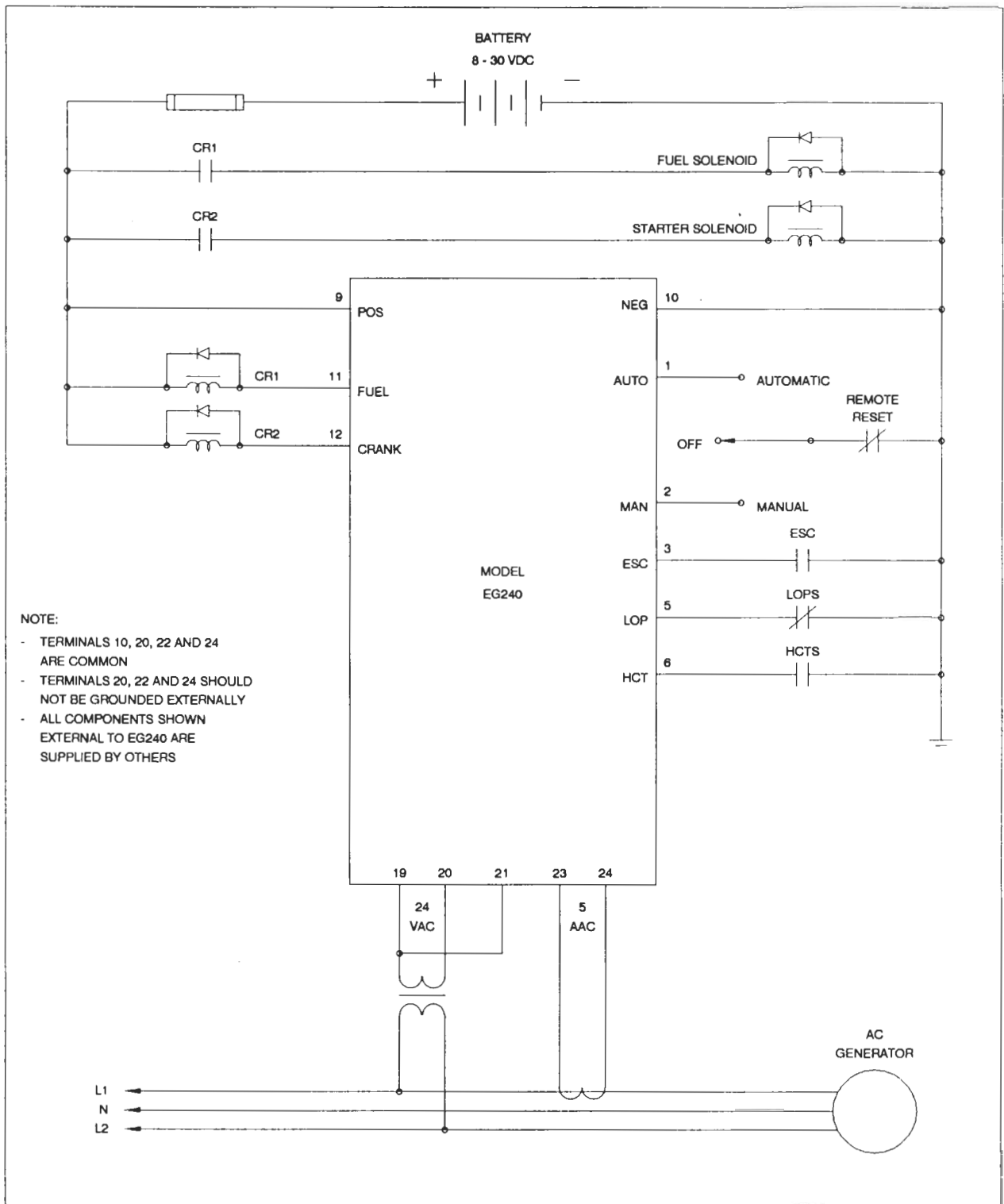


FIGURE 5-4 CONNECTION DIAGRAM - MINIMUM CONFIGURATION

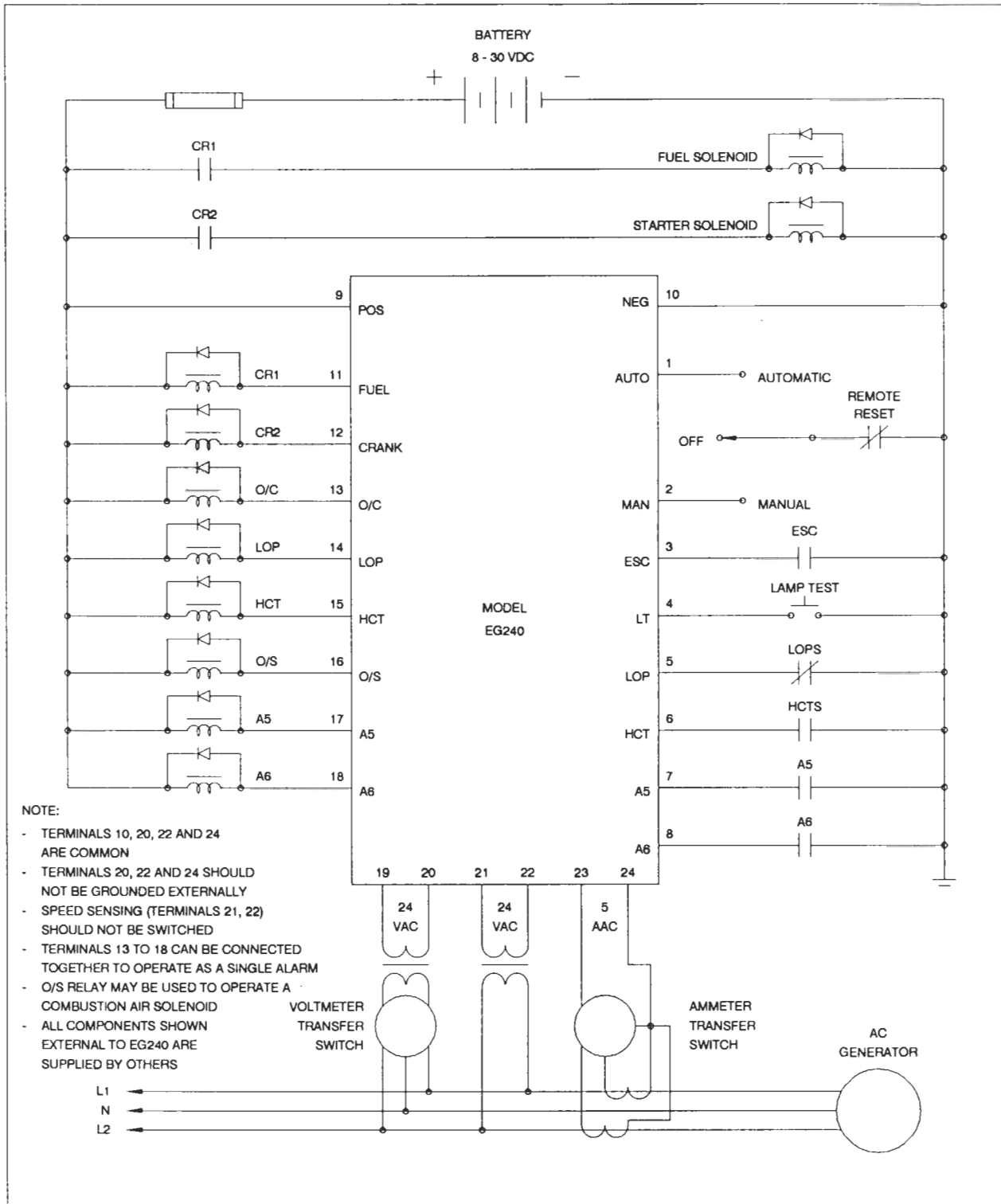


FIGURE 5-5 CONNECTION DIAGRAM - MAXIMUM CONFIGURATION

5.4 MOUNTING

The EG240 is intended to be flush mounted in the relay panel door. Four 10-32 machine screws are required for this purpose. Hole spacing and cutout dimensions are detailed in the following diagram.

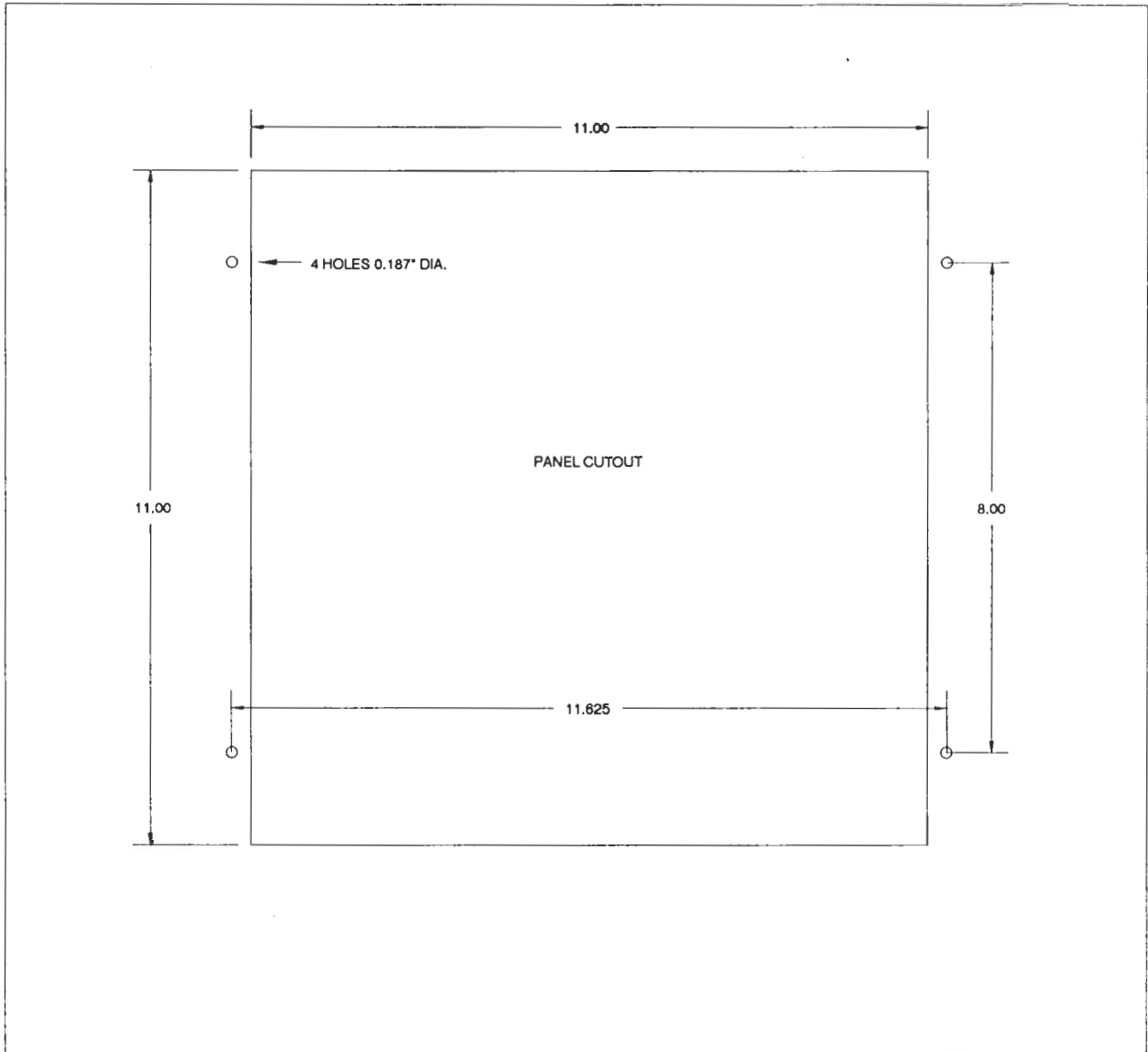


FIGURE 5-6 MODEL EG240 MOUNTING DIMENSIONS

NOTES:

SECTION 6. MAINTENANCE

The EG240 is a completely solid state device. The only recommended maintenance is periodic inspection for dust or heat buildup. If this occurs, disassemble the unit and remove the dust with a soft bristle brush.

6.1 BATTERY CHARGERS

A poorly filtered battery charger may produce a dangerous voltage surge at the DC input of the EG240 greater than the nominal 30 VDC maximum permitted. This occurs when the highly capacitive battery is removed from the DC bus for maintenance purposes. Therefore, it is strongly recommended the **BATTERY CHARGER ALWAYS BE TURNED OFF BEFORE REMOVING THE BATTERY FROM THE BUS.**

NOTE: random alarms may be generated by the EG240 when DC power is reapplied to the control following maintenance. To reset the alarms, place the function switch in OFF.